

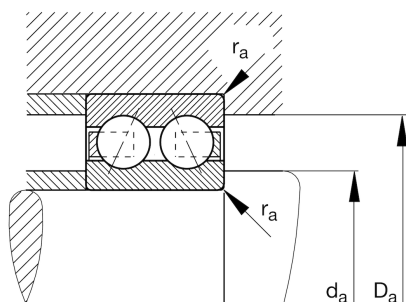
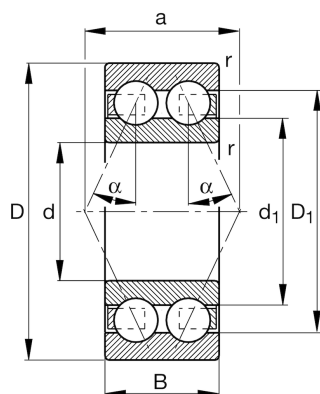
FAG

**3200-BB-TVH**

Angular contact ball bearing

Schaeffler ID:  
0205032370000Angular contact ball bearing 32..-B-TVH,  
double row, plastic cage

## Technical information

**Main Dimensions & Performance Data**

d	10 mm	Bore diameter
D	30 mm	Outside diameter
B	14 mm	Width
$C_r$	7.800 N	Basic dynamic load rating, radial
$C_{0r}$	4.450 N	Basic static load rating, radial
$C_{ur}$	233 N	Fatigue load limit, radial
$n_G$	28.000 1/min	Limiting speed
$n_{gr}$	21.000 1/min	Reference speed
	0,049 kg	Weight

**Dimensions**

$r_{min}$	0,6 mm	Minimum chamfer dimension
$D_1$	23 mm	Shoulder diameter outer ring
$d_1$	16,6 mm	Shoulder diameter inner ring
a	14,8 mm	Distance between the apexes of the pressure cones
$\alpha$	25 °	Contact angle

**Mounting dimensions**

$d_{a min}$	14,2 mm	Minimum diameter shaft shoulder
$D_{a max}$	25,8 mm	Maximum diameter of housing shoulder
$r_{a max}$	0,6 mm	Maximum fillet radius

**Temperature range**

$T_{min}$	-30 °C	Operating temperature min.
$T_{max}$	120 °C	Operating temperature max.