

FAG

## ★ 3200-BB-2RSR-TVH

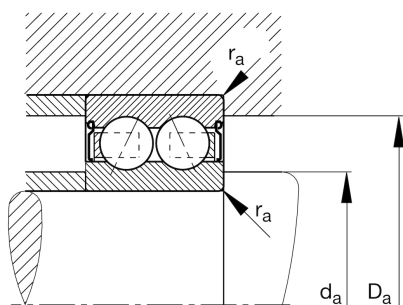
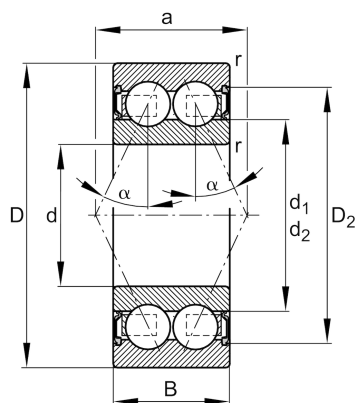
Angular contact ball bearing

Schaeffler ID:  
0390655880000

Angular contact ball bearing 32..-B-2RSR-TVH, double row, seals, plastic cage

★ Preferred product

## Technical information



## Main Dimensions &amp; Performance Data

d	10 mm	Bore diameter
D	30 mm	Outside diameter
B	14 mm	Width
C <sub>r</sub>	7.800 N	Basic dynamic load rating, radial
C <sub>0r</sub>	4.450 N	Basic static load rating, radial
C <sub>ur</sub>	233 N	Fatigue load limit, radial
n <sub>G</sub>	16.100 1/min	Limiting speed
	0,05 kg	Weight

## Dimensions

r <sub>min</sub>	0,6 mm	Minimum chamfer dimension
D <sub>2</sub>	24,9 mm	Caliber diameter outer ring
d <sub>2</sub>	15,5 mm	Caliber diameter inner ring
a	14,79 mm	Distance between the apexes of the pressure cones
α	25 °	Contact angle

## Mounting dimensions

d <sub>a min</sub>	14,2 mm	Minimum diameter shaft shoulder
D <sub>a max</sub>	25,8 mm	Maximum diameter of housing shoulder
r <sub>a max</sub>	0,6 mm	Maximum fillet radius

## Temperature range

T <sub>min</sub>	-20 °C	Operating temperature min.
T <sub>max</sub>	110 °C	Operating temperature max.