



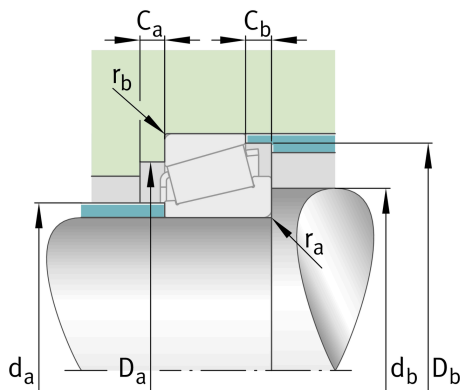
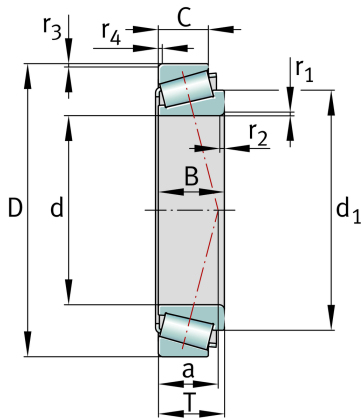
FAG

30315-A

Tapered roller bearing

Schaeffler ID:
0167109830000Tapered roller bearings 303, main
dimensions to DIN ISO 355 / DIN 720,
separable, adjusted or in pairs

Technical information

**Main Dimensions & Performance Data**

d	75 mm	Bore diameter
D	160 mm	Outside diameter
B	37 mm	Width, inner ring
C	31 mm	Width, outer ring
T	40 mm	Width, total
C_r	250.000 N	Basic dynamic load rating, radial
C_{0r}	295.000 N	Basic static load rating, radial
C_{ur}	35.000 N	Fatigue load limit, radial
n_G	4.600 1/min	Limiting speed
n_{gr}	3.400 1/min	Thermal speed rating
	3,553 kg	{Weight}

Mounting dimensions

$d_{a \max}$	95 mm	Maximum diameter of shaft shoulder
$d_{b \min}$	87 mm	Minimum diameter of shaft shoulder
$D_{a \min}$	139 mm	Minimum diameter of housing shoulder
$D_{a \max}$	148 mm	Maximum diameter of housing shoulder
$D_{b \min}$	149 mm	Minimum diameter of housing shoulder
$C_{a \min}$	5 mm	Minimum axial space
$C_{b \min}$	9 mm	Minimum axial space
$r_{a \max}$	3 mm	Maximum fillet radius of shaft
$r_{b \max}$	2,5 mm	Maximum fillet radius of housing

Dimensions

$r_{1,2 \text{ min}}$	3 mm	Minimum chamfer dimension of inner ring back face
$r_{3,4 \text{ min}}$	2,5 mm	Minimum chamfer dimension of outer ring back face
a	32 mm	Distance between the apexes of the pressure cones
d_1	114 mm	Guidance rib diameter of inner ring

Temperature range

T_{min}	-30 °C	Operating temperature min.
T_{max}	120 °C	Operating temperature max.

Calculation factors

e	0,35	Limiting value of F_a/F_r for the applicability of diff. Values of factors X and Y
Y	1,74	Dynamic axial load factor
Y_0	0,96	Static axial load factor

Additional information

	T2GB075	Comparative designation to ISO 10317 and ISO 355
--	---------	--