



FAG

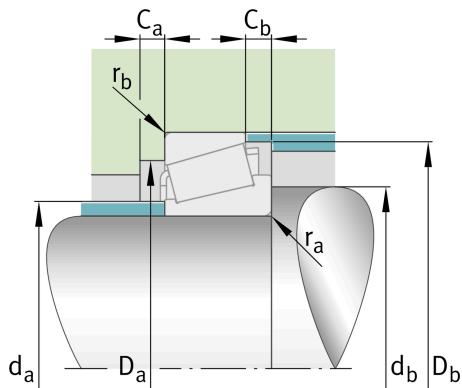
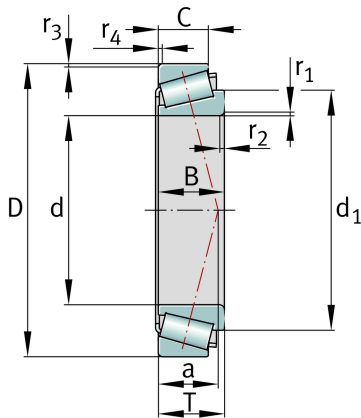
30228-XL

Tapered roller bearing

Schaeffler ID:
0783685020000Tapered roller bearings 302, main
dimensions to DIN ISO 355 / DIN 720,
separable, adjusted or in pairs

X-life

Technical information



Main Dimensions & Performance Data

d	140 mm	Bore diameter
D	250 mm	Outside diameter
B	42 mm	Width, inner ring
C	36 mm	Width, outer ring
T	45,75 mm	Width, total
C_r	490.000 N	Basic dynamic load rating, radial
C_{0r}	560.000 N	Basic static load rating, radial
C_{ur}	76.000 N	Fatigue load limit, radial
n_G	3.450 1/min	Limiting speed
n_{gr}	2.040 1/min	Thermal speed rating
	8,8 kg	{Weight}

Mounting dimensions

$d_{a \max}$	163 mm	Maximum diameter of shaft shoulder
$d_{b \min}$	154 mm	Minimum diameter of shaft shoulder
$D_{a \min}$	219 mm	Minimum diameter of housing shoulder
$D_{a \max}$	236 mm	Maximum diameter of housing shoulder
$D_{b \min}$	234 mm	Minimum diameter of housing shoulder
$C_{a \min}$	9 mm	Minimum axial space
$C_{b \min}$	9,5 mm	Minimum axial space
$r_{a \max}$	4 mm	Maximum fillet radius of shaft
$r_{b \max}$	3 mm	Maximum fillet radius of housing

Dimensions

$r_{1,2 \text{ min}}$	4 mm	Minimum chamfer dimension of inner ring back face
$r_{3,4 \text{ min}}$	3 mm	Minimum chamfer dimension of outer ring back face
a	49 mm	Distance between the apexes of the pressure cones
d_1	188 mm	Guidance rib diameter of inner ring

Temperature range

T_{min}	-30 °C	Operating temperature min.
T_{max}	200 °C	Operating temperature max.

Calculation factors

e	0,43	Limiting value of F_a/F_r for the applicability of diff. Values of factors X and Y
Y	1,38	Dynamic axial load factor
Y_0	0,76	Static axial load factor

Additional information

	T4FB140	Comparative designation to ISO 10317 and ISO 355
--	---------	--