



FAG

★ 30226-A

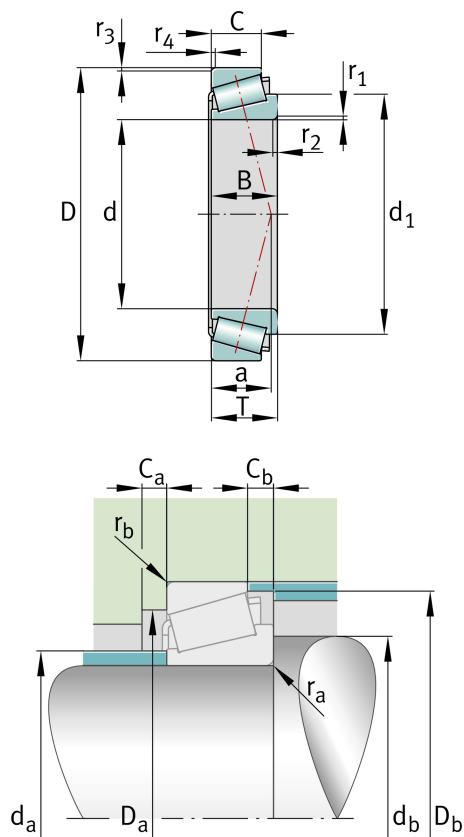
Tapered roller bearing

Schaeffler ID:
0167107540000

★ Preferred product

Tapered roller bearings 302, main dimensions to DIN ISO 355 / DIN 720, separable, adjusted or in pairs

Technical information



Temperature range

T_{\min}	-30 °C	Operating temperature min.
T_{\max}	200 °C	Operating temperature max.
	7 kg	Weight

Main Dimensions & Performance Data

d	130 mm	Bore diameter
D	230 mm	Outside diameter
B	40 mm	Width, inner ring
C	34 mm	Width, outer ring
T	43,75 mm	Width, total
C_r	355.000 N	Basic dynamic load rating, radial
C_{0r}	470.000 N	Basic static load rating, radial
C_{ur}	50.000 N	Fatigue load limit, radial
n_G	3.050 1/min	Limiting speed
n_{gr}	2.290 1/min	Thermal speed rating

Dimensions

$r_{1,2 \min}$	4 mm	Minimum chamfer dimension of inner ring back face
$r_{3,4 \min}$	3 mm	Minimum chamfer dimension of outer ring back face
a	46 mm	Distance between the apexes of the pressure cones
d_1	177,1 mm	Guidance rib diameter of inner ring

Mounting dimensions

$d_{a \max}$	152 mm	Maximum diameter of shaft shoulder
$d_{b \min}$	144 mm	Minimum diameter of shaft shoulder
$D_{a \min}$	203 mm	Minimum diameter of housing shoulder
$D_{a \max}$	216 mm	Maximum diameter of housing shoulder
$D_{b \min}$	217 mm	Minimum diameter of housing shoulder
$C_{a \min}$	7 mm	Minimum axial space
$C_{b \min}$	9,5 mm	Minimum axial space
$r_{a \max}$	4 mm	Maximum fillet radius of shaft
$r_{b \max}$	3 mm	Maximum fillet radius of housing

Calculation factors

	T4FB130	Comparative designation to ISO 10317 and ISO 355
e	0,43	Limiting value of F_a/F_r for the applicability of diff. Values of factors X and Y
Y	1,38	Dynamic axial load factor
Y_0	0,76	Static axial load factor