

## ★ 3000-2RS

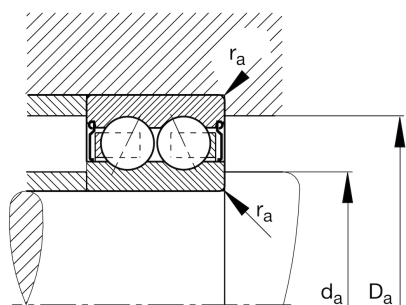
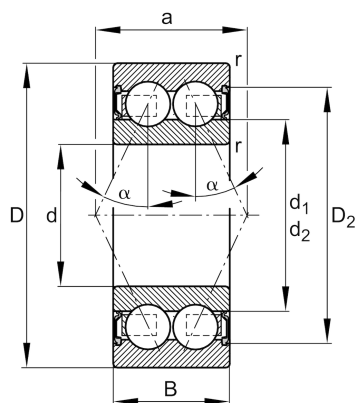
Angular contact ball bearing

Schaeffler ID:  
0008751800000

Angular contact ball bearing 30..-B-2RS-TVH, double row, seals, plastic cage

★ Preferred product

### Technical information



#### Temperature range

$T_{\min}$	-20 °C	Operating temperature min.
$T_{\max}$	110 °C	Operating temperature max.
	0,03 kg	Weight

#### Main Dimensions & Performance Data

d	10 mm	Bore diameter
D	26 mm	Outside diameter
B	12 mm	Width
$C_r$	5.700 N	Basic dynamic load rating, radial
$C_{0r}$	3.200 N	Basic static load rating, radial
$C_{ur}$	166 N	Fatigue load limit, radial
$n_G$	18.100 1/min	Limiting speed

#### Dimensions

$r_{\min}$	0,3 mm	Minimum chamfer dimension
$D_2$	21,2 mm	Caliber diameter outer ring
$d_2$	14,2 mm	Caliber diameter inner ring
a	12,6 mm	Distance between the apexes of the pressure cones
$\alpha$	25 °	Contact angle

#### Mounting dimensions

$d_{a\min}$	12 mm	Minimum diameter shaft shoulder
$D_{a\max}$	24 mm	Maximum diameter of housing shoulder
$r_{a\max}$	0,3 mm	Maximum fillet radius