

FAG

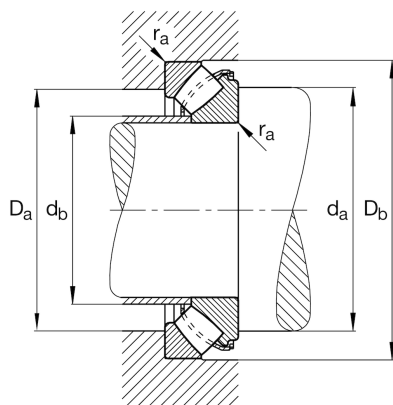
29415-E1-XL

Axial spherical roller bearing

Schaeffler ID:
0390003110000Axial spherical roller bearing 294..-E1-XL,
no flanging ring

X-life

Technical information



Main Dimensions & Performance Data

d	75 mm	Bore diameter
D	160 mm	Outside diameter
T	51 mm	Height
C _a	650.000 N	Basic dynamic load rating, axial
C _{0a}	1.540.000 N	Basic static load rating, axial
C _{ua}	179.000 N	Fatigue load limit, axial
n _G	4.700 1/min	Limiting speed
n _{gr}	2.260 1/min	Reference speed
	4,46 kg	Weight

Dimensions

D ₁	105,5 mm	Bore diameter housing washer
d ₁	142,3 mm	Rip diameter shaft washer
r _{min}	2 mm	Minimum chamfer dimension
T ₁	24,5 mm	Height of the housing washer
T ₃	33,5 mm	Height of the shaft washer
T ₅	46 mm	Distance shaft washer - cage
A	47 mm	Distance of the center point

Mounting dimensions

d _{a min}	115 mm	Minimum diameter shaft shoulder
D _{a max}	132 mm	Maximum diameter of housing shoulder
D _{b min}	163 mm	Minimum bore diameter housing
d _{b max}	82,5 mm	Maximum distance sleeve
r _{a max}	2 mm	Maximum recess radius

Temperature range

T _{min}	-30 °C	Operating temperature min.
T _{max}	200 °C	Operating temperature max.

