

FAG

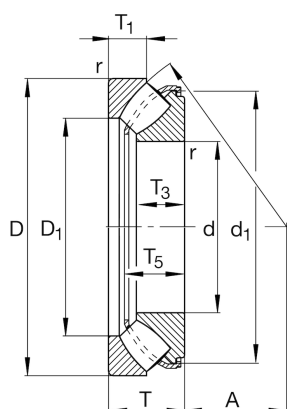
29338-E1-XL

Axial spherical roller bearing

Schaeffler ID:
0389999190000Axial spherical roller bearing 293..-E1-XL,
no flanging ring

X-life

Technical information



Main Dimensions & Performance Data

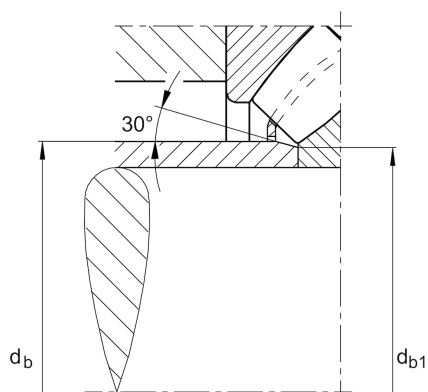
d	190 mm	Bore diameter
D	320 mm	Outside diameter
T	78 mm	Height
C_a	1.680.000 N	Basic dynamic load rating, axial
C_{0a}	4.850.000 N	Basic static load rating, axial
C_{ua}	600.000 N	Fatigue load limit, axial
n_G	2.070 1/min	Limiting speed
n_{gr}	1.090 1/min	Reference speed
	22,183 kg	Weight

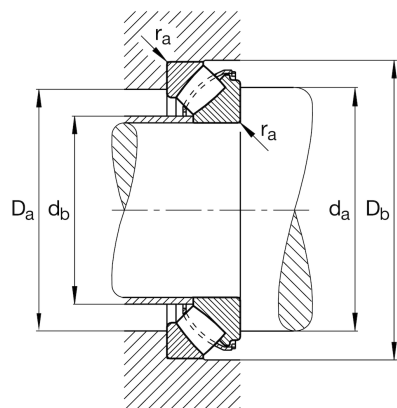
Dimensions

D_1	243,5 mm	Bore diameter housing washer
d_1	290,1 mm	Rip diameter shaft washer
r_{min}	4 mm	Minimum chamfer dimension
T_1	36 mm	Height of the housing washer
T_3	49 mm	Height of the shaft washer
T_5	70 mm	Distance shaft washer - cage
A	110 mm	Distance of the center point

Mounting dimensions

$d_{a min}$	250 mm	Minimum diameter shaft shoulder
$D_{a max}$	281 mm	Maximum diameter of housing shoulder
$D_{b min}$	325 mm	Minimum bore diameter housing
$d_{b max}$	211 mm	Maximum distance sleeve
$d_{b1 max}$	201 mm	Maximum chamfer diameter of distance sleeve
$r_{a max}$	3 mm	Maximum recess radius
	30 °	Angle of chamfer of the distance sleeve



**Temperature range**

T_{\min}	-30 °C	Operating temperature min.
T_{\max}	200 °C	Operating temperature max.