

FAG

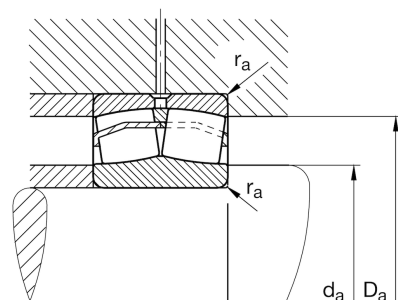
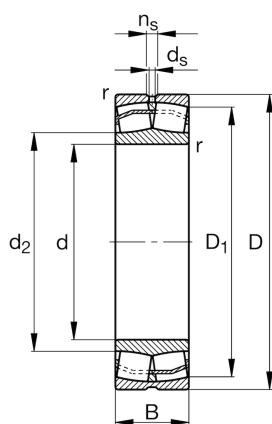
23222-E1-XL-TVPB

Spherical roller bearing

Schaeffler ID:
0190015920000Spherical roller bearings 232...-E1, main
dimensions to DIN 635-2

X-life

Technical information

**Main Dimensions & Performance Data**

d	110 mm	Bore diameter
D	200 mm	Outside diameter
B	69,8 mm	Width
C_r	710.000 N	Basic dynamic load rating, radial
C_{0r}	870.000 N	Basic static load rating, radial
C_{ur}	73.000 N	Fatigue load limit, radial
n_G	3.250 1/min	Limiting speed
n_{gr}	2.100 1/min	Reference speed
	9,106 kg	Weight

Mounting dimensions

$d_{a \min}$	122 mm	Minimum diameter shaft shoulder
$D_{a \max}$	188 mm	Maximum diameter of housing shoulder
$r_{a \max}$	2,1 mm	Maximum recess radius

Temperature range

T_{\min}	-30 °C	Operating temperature min.
T_{\max}	120 °C	Operating temperature max.

Dimensions

e	0,33	Limiting value of Fa/Fr for the applicability of diff. Values of factors X and Y
r _{min}	2,1 mm	Minimum chamfer dimension
D ₁	172,7 mm	Bore diameter outer ring
Y ₁	2,06	Dynamic axial load factor
Y ₂	3,06	Dynamic axial load factor
d ₂	129,1 mm	Raceway diameter of the inner ring
Y ₀	2,01	Static axial load factor
d _s	4,8 mm	Diameter lubrication hole
n _s	9,5 mm	Width of lubricating groove