

FAG

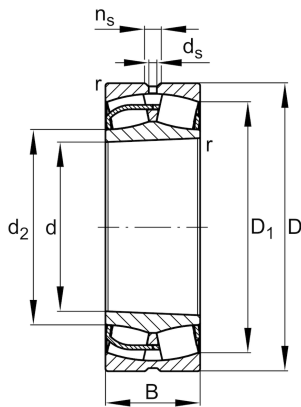
23156-BE-XL-K

Spherical roller bearing

Schaeffler ID:
0597095020000Spherical roller bearings 231..-E1-K, main
dimensions to DIN 635-2, with tapered
bore, taper 1:12

X-life

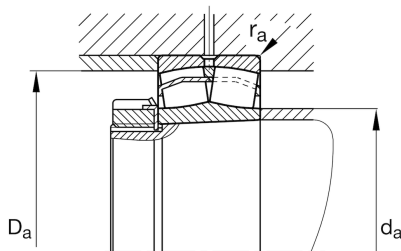
Technical information



Main Dimensions & Performance Data

d	280 mm	Bore diameter
D	460 mm	Outside diameter
B	146 mm	Width
C_r	2.750.000 N	Basic dynamic load rating, radial
C_{0r}	4.200.000 N	Basic static load rating, radial
C_{ur}	325.000 N	Fatigue load limit, radial
n_G	1.420 1/min	Limiting speed
n_{gr}	790 1/min	Reference speed
	90,555 kg	Weight

Dimensions



$d_{a \min}$	300 mm	Minimum diameter shaft shoulder
r_{\min}	5 mm	Minimum chamfer dimension
D_1	403,4 mm	Bore diameter outer ring
$d_{a \max}$	321 mm	Maximum diameter of shaft shoulder
$D_{a \max}$	440 mm	Maximum diameter of housing shoulder
d_2	321,4 mm	Raceway diameter of the inner ring
d_s	9,5 mm	Diameter lubrication hole
$r_{a \max}$	4 mm	Maximum recess radius
$d_{b \min}$	296 mm	Minimum cavity diameter of the sleeve
n_s	17,7 mm	Width of lubricating groove
$B_{a \min}$	12 mm	Minimum cavity width of the sleeve

Additional information

H3156X	Adapter sleeve
AH3156G	Withdrawal sleeve

Calculation factors

e	0,31	Limiting value of Fa/Fr for the applicability of diff. Values of factors X and Y
Y ₁	2,21	Dynamic axial load factor
Y ₂	3,29	Dynamic axial load factor
Y ₀	2,16	Static axial load factor

Temperature range

T _{min}	-30 °C	Operating temperature min.
T _{max}	200 °C	Operating temperature max.