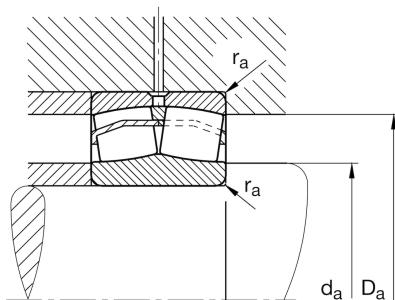
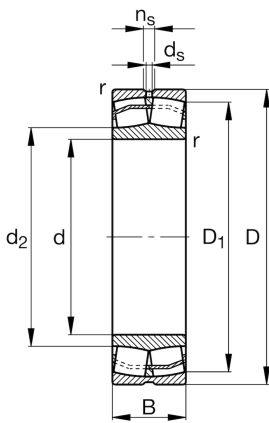
**22324-E1-XL**

## Spherical roller bearing

Schaeffler ID:  
0190008630000Spherical roller bearings 223...-E1, main  
dimensions to DIN 635-2

## Technical information

**Main Dimensions & Performance Data**

d	120 mm	Bore diameter
D	260 mm	Outside diameter
B	86 mm	Width
$C_r$	1.080.000 N	Basic dynamic load rating, radial
$C_{0r}$	1.170.000 N	Basic static load rating, radial
$C_{ur}$	105.000 N	Fatigue load limit, radial
$n_G$	2.850 1/min	Limiting speed
$n_{gr}$	2.000 1/min	Reference speed
	22,135 kg	Weight

**Mounting dimensions**

$d_{a \min}$	134 mm	Minimum diameter shaft shoulder
$D_{a \max}$	246 mm	Maximum diameter of housing shoulder
$r_{a \max}$	2,5 mm	Maximum recess radius

**Dimensions**

e	0,33	Limiting value of $F_a/F_r$ for the applicability of diff. Values of factors X and Y
$r_{\min}$	3 mm	Minimum chamfer dimension
$D_1$	222,4 mm	Bore diameter outer ring
$Y_1$	2,06	Dynamic axial load factor
$Y_2$	3,06	Dynamic axial load factor
$d_2$	150,8 mm	Raceway diameter of the inner ring
$d_s$	8 mm	Diameter lubrication hole
$Y_0$	2,01	Static axial load factor
$n_s$	15 mm	Width of lubricating groove

**Temperature range**

T <sub>min</sub>	-30 °C	Operating temperature min.
T <sub>max</sub>	200 °C	Operating temperature max.