

FAG

★ 22322-E1-XL-T41D

Spherical roller bearing

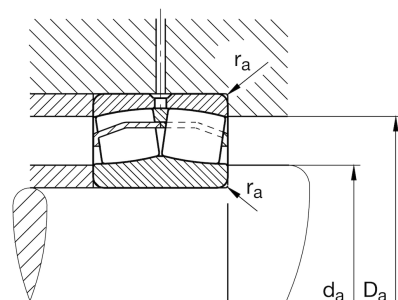
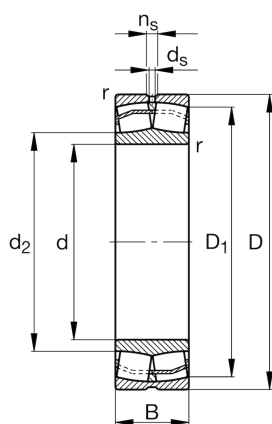
Schaeffler ID:
0392425950000

★ Preferred product

Spherical roller bearings 223...E1-T41A,
For oscillating load with restricted diameter
tolerances

X-life

Technical information



Main Dimensions & Performance Data

d	110 mm	Bore diameter
D	240 mm	Outside diameter
B	80 mm	Width
C_r	950.000 N	Basic dynamic load rating, radial
C_{0r}	1.070.000 N	Basic static load rating, radial
C_{ur}	93.000 N	Fatigue load limit, radial
n_G	3.000 1/min	Limiting speed
n_{gr}	2.130 1/min	Reference speed
	17,702 kg	Weight

Additional information

r_{min}	3 mm	Minimum chamfer dimension
D_1	204,9 mm	Bore diameter outer ring
d_2	143,1 mm	Raceway diameter of the inner ring
d_s	8 mm	Diameter lubrication hole
n_s	15 mm	Width of lubricating groove

Mounting dimensions

$d_{a min}$	124 mm	Minimum diameter shaft shoulder
$D_{a max}$	226 mm	Maximum diameter of housing shoulder
$r_{a max}$	2,5 mm	Maximum recess radius

Calculation factors

e	0,33	Limiting value of F_a/F_r for the applicability of diff. Values of factors X and Y
Y_1	2,07	Dynamic axial load factor
Y_2	3,09	Dynamic axial load factor
Y_0	2,03	Static axial load factor

Temperature range

T _{min}	-30 °C	Operating temperature min.
T _{max}	200 °C	Operating temperature max.