

FAG

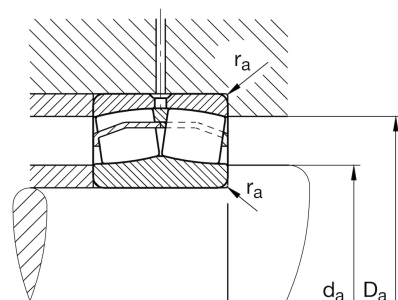
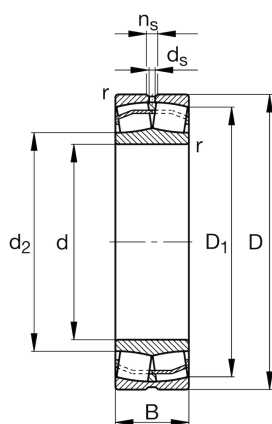
22318-E1-XL

Spherical roller bearing

Schaeffler ID:
0190007820000Spherical roller bearings 223...-E1, main
dimensions to DIN 635-2

X-life

Technical information

**Main Dimensions & Performance Data**

d	90 mm	Bore diameter
D	190 mm	Outside diameter
B	64 mm	Width
C_r	610.000 N	Basic dynamic load rating, radial
C_{0r}	630.000 N	Basic static load rating, radial
C_{ur}	56.000 N	Fatigue load limit, radial
n_G	3.850 1/min	Limiting speed
n_{gr}	3.000 1/min	Reference speed
	8,57 kg	Weight

Dimensions

r_{min}	3 mm	Minimum chamfer dimension
D_1	162,5 mm	Bore diameter outer ring
d_2	110,2 mm	Raceway diameter of the inner ring
d_s	6,3 mm	Diameter lubrication hole
n_s	12,2 mm	Width of lubricating groove

Mounting dimensions

$d_{a min}$	104 mm	Minimum diameter shaft shoulder
$D_{a max}$	176 mm	Maximum diameter of housing shoulder
$r_{a max}$	2,5 mm	Maximum recess radius

Temperature range

T_{min}	-30 °C	Operating temperature min.
T_{max}	200 °C	Operating temperature max.

Calculation factors

e	0,33	Limiting value of Fa/Fr for the applicability of diff. Values of factors X and Y
Y ₁	2,03	Dynamic axial load factor
Y ₂	3,02	Dynamic axial load factor
Y ₀	1,98	Static axial load factor