



FAG

★ 22314-E1-XL

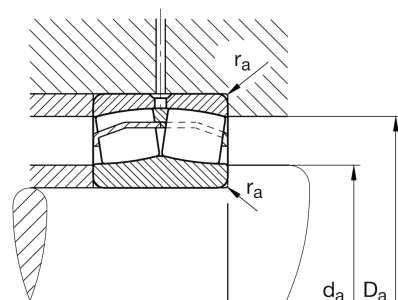
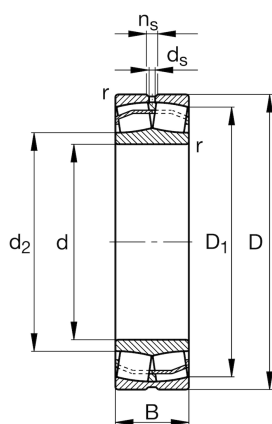
Spherical roller bearing

Schaeffler ID:
0190006850000Spherical roller bearings 223...E1, main
dimensions to DIN 635-2

★ Preferred product

X-life

Technical information



Main Dimensions & Performance Data

d	70 mm	Bore diameter
D	150 mm	Outside diameter
B	51 mm	Width
C_r	390.000 N	Basic dynamic load rating, radial
C_{0r}	390.000 N	Basic static load rating, radial
C_{ur}	37.500 N	Fatigue load limit, radial
n_G	4.800 1/min	Limiting speed
n_{gr}	3.700 1/min	Reference speed
	4,284 kg	Weight

Additional information

r_{min}	2,1 mm	Minimum chamfer dimension
D_1	128 mm	Bore diameter outer ring
d_2	86,7 mm	Raceway diameter of the inner ring
d_s	4,8 mm	Diameter lubrication hole
n_s	9,5 mm	Width of lubricating groove

Mounting dimensions

$d_{a min}$	82 mm	Minimum diameter shaft shoulder
$D_{a max}$	138 mm	Maximum diameter of housing shoulder
$r_{a max}$	2,1 mm	Maximum recess radius

Calculation factors

e	0,34	Limiting value of F_a/F_r for the applicability of diff. Values of factors X and Y
Y_1	2	Dynamic axial load factor
Y_2	2,98	Dynamic axial load factor
Y_0	1,96	Static axial load factor

Temperature range

T _{min}	-30 °C	Operating temperature min.
T _{max}	200 °C	Operating temperature max.