

FAG

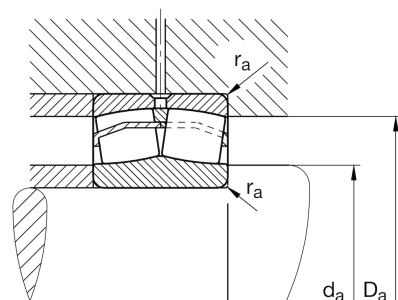
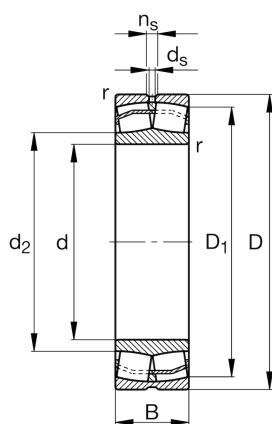
22311-E1-XL

Spherical roller bearing

Schaeffler ID:
0167052200000Spherical roller bearings 223...-E1, main
dimensions to DIN 635-2

X-life

Technical information

**Main Dimensions & Performance Data**

d	55 mm	Bore diameter
D	120 mm	Outside diameter
B	43 mm	Width
C _r	265.000 N	Basic dynamic load rating, radial
C _{0r}	260.000 N	Basic static load rating, radial
C _{ur}	24.600 N	Fatigue load limit, radial
n _G	5.800 1/min	Limiting speed
n _{gr}	4.500 1/min	Reference speed
	2,354 kg	Weight

Additional information

r _{min}	2 mm	Minimum chamfer dimension
D ₁	101,4 mm	Bore diameter outer ring
d ₂	68,9 mm	Raceway diameter of the inner ring
d _s	3,2 mm	Diameter lubrication hole
n _s	6,5 mm	Width of lubricating groove

Mounting dimensions

d _{a min}	66 mm	Minimum diameter shaft shoulder
D _{a max}	109 mm	Maximum diameter of housing shoulder
r _{a max}	2 mm	Maximum recess radius

Calculation factors

e	0,36	Limiting value of Fa/Fr for the applicability of diff. Values of factors X and Y
Y ₁	1,89	Dynamic axial load factor
Y ₂	2,81	Dynamic axial load factor
Y ₀	1,84	Static axial load factor

Temperature range

T _{min}	-30 °C	Operating temperature min.
T _{max}	200 °C	Operating temperature max.