



FAG

## ★ 22310-E1-XL

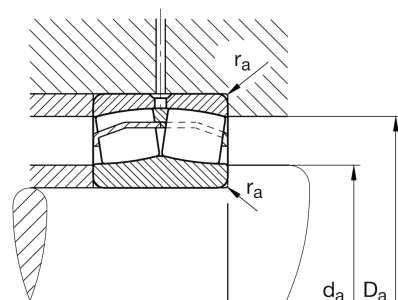
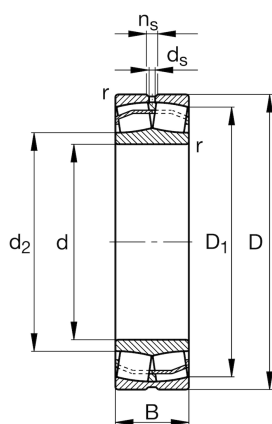
Spherical roller bearing

Schaeffler ID:  
0167051300000Spherical roller bearings 223...E1, main  
dimensions to DIN 635-2

★ Preferred product

X-life

## Technical information



## Main Dimensions &amp; Performance Data

|          |             |                                   |
|----------|-------------|-----------------------------------|
| d        | 50 mm       | Bore diameter                     |
| D        | 110 mm      | Outside diameter                  |
| B        | 40 mm       | Width                             |
| $C_r$    | 229.000 N   | Basic dynamic load rating, radial |
| $C_{0r}$ | 223.000 N   | Basic static load rating, radial  |
| $C_{ur}$ | 20.700 N    | Fatigue load limit, radial        |
| $n_G$    | 6.300 1/min | Limiting speed                    |
| $n_{gr}$ | 4.800 1/min | Reference speed                   |
|          | 1,476 kg    | Weight                            |

## Additional information

|           |         |                                    |
|-----------|---------|------------------------------------|
| $r_{min}$ | 2 mm    | Minimum chamfer dimension          |
| $D_1$     | 92,6 mm | Bore diameter outer ring           |
| $d_2$     | 63 mm   | Raceway diameter of the inner ring |
| $d_s$     | 3,2 mm  | Diameter lubrication hole          |
| $n_s$     | 6,5 mm  | Width of lubricating groove        |

## Mounting dimensions

|             |       |                                      |
|-------------|-------|--------------------------------------|
| $d_{a min}$ | 61 mm | Minimum diameter shaft shoulder      |
| $D_{a max}$ | 99 mm | Maximum diameter of housing shoulder |
| $r_{a max}$ | 2 mm  | Maximum recess radius                |

## Calculation factors

|       |      |   |
|-------|------|---|
| e     | 0,36 | Limiting value of $F_a/F_r$ for the applicability of<br>diff. Values of factors X and Y |
| $Y_1$ | 1,86 | Dynamic axial load factor   |
| $Y_2$ | 2,77 | Dynamic axial load factor   |
| $Y_0$ | 1,82 | Static axial load factor  |

**Temperature range**

|                  |        |                            |
|------------------|--------|----------------------------|
| T <sub>min</sub> | -30 °C | Operating temperature min. |
| T <sub>max</sub> | 200 °C | Operating temperature max. |