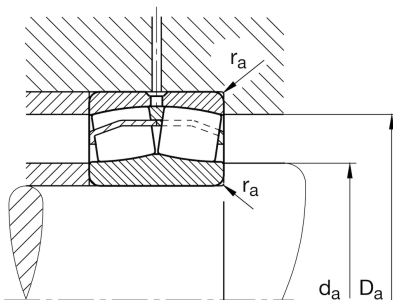
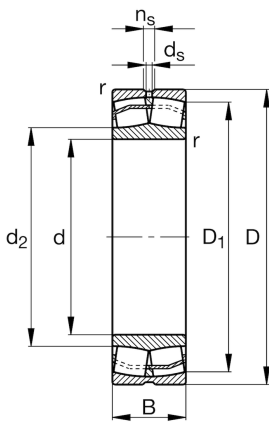
**22236-E1-XL**

Spherical roller bearing

Schaeffler ID:
0190005700000Spherical roller bearings 222...-E1, main
dimensions to DIN 635-2

Technical information

**Dimensions**

r_{\min}	4 mm	Minimum chamfer dimension
D_1	285,9 mm	Bore diameter outer ring
d_2	211,3 mm	Raceway diameter of the inner ring
d_s	9,5 mm	Diameter lubrication hole
n_s	17,7 mm	Width of lubricating groove
	28,649 kg	Weight

Main Dimensions & Performance Data

d	180 mm	Bore diameter
D	320 mm	Outside diameter
B	86 mm	Width
C_r	1.360.000 N	Basic dynamic load rating, radial
C_{0r}	1.680.000 N	Basic static load rating, radial
C_{ur}	153.000 N	Fatigue load limit, radial
n_G	2.470 1/min	Limiting speed
n_{gr}	1.670 1/min	Reference speed

Mounting dimensions

$d_{a \min}$	197 mm	Minimum diameter shaft shoulder
$D_{a \max}$	303 mm	Maximum diameter of housing shoulder
$r_{a \max}$	3 mm	Maximum recess radius

Calculation factors

e	0,25	Limiting value of F_a/F_r for the applicability of diff. Values of factors X and Y
Y_1	2,71	Dynamic axial load factor
Y_2	4,04	Dynamic axial load factor
Y_0	2,65	Static axial load factor

Temperature range

T _{min}	-30 °C	Operating temperature min.
T _{max}	200 °C	Operating temperature max.