



FAG

★ 22218-E1-XL

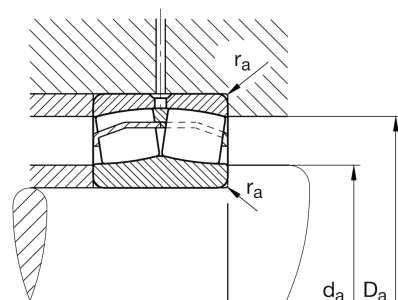
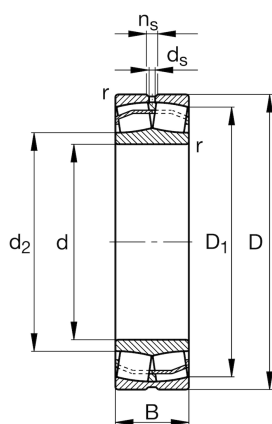
Spherical roller bearing

Schaeffler ID:
0190004130000Spherical roller bearings 222...-E1, main
dimensions to DIN 635-2

★ Preferred product

X-life

Technical information



Main Dimensions & Performance Data

d	90 mm	Bore diameter
D	160 mm	Outside diameter
B	40 mm	Width
C_r	345.000 N	Basic dynamic load rating, radial
C_{0r}	375.000 N	Basic static load rating, radial
C_{ur}	43.500 N	Fatigue load limit, radial
n_G	5.200 1/min	Limiting speed
n_{gr}	3.400 1/min	Reference speed
	3,36 kg	Weight

Additional information

r_{min}	2 mm	Minimum chamfer dimension
D_1	143,9 mm	Bore diameter outer ring
d_2	106,1 mm	Raceway diameter of the inner ring
d_s	3,2 mm	Diameter lubrication hole
n_s	6,5 mm	Width of lubricating groove

Mounting dimensions

$d_{a min}$	101 mm	Minimum diameter shaft shoulder
$D_{a max}$	149 mm	Maximum diameter of housing shoulder
$r_{a max}$	2 mm	Maximum recess radius

Calculation factors

e	0,23	Limiting value of F_a/F_r for the applicability of diff. Values of factors X and Y
Y_1	2,9	Dynamic axial load factor
Y_2	4,31	Dynamic axial load factor
Y_0	2,83	Static axial load factor

Temperature range

T _{min}	-30 °C	Operating temperature min.
T _{max}	200 °C	Operating temperature max.