

FAG

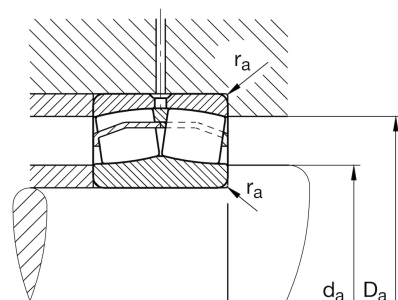
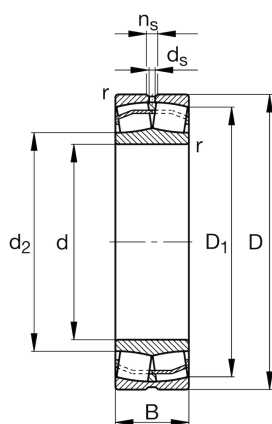
22216-E1-XL

Spherical roller bearing

Schaeffler ID:
0167039520000Spherical roller bearings 222...-E1, main
dimensions to DIN 635-2

X-life

Technical information

**Main Dimensions & Performance Data**

d	80 mm	Bore diameter
D	140 mm	Outside diameter
B	33 mm	Width
C _r	250.000 N	Basic dynamic load rating, radial
C _{0r}	270.000 N	Basic static load rating, radial
C _{ur}	34.500 N	Fatigue load limit, radial
n _G	6.200 1/min	Limiting speed
n _{gr}	3.550 1/min	Reference speed
	2,072 kg	Weight

Dimensions

r _{min}	2 mm	Minimum chamfer dimension
D ₁	126,8 mm	Bore diameter outer ring
d ₂	94,9 mm	Raceway diameter of the inner ring
d _s	3,2 mm	Diameter lubrication hole
n _s	6,5 mm	Width of lubricating groove

Mounting dimensions

d _{a min}	91 mm	Minimum diameter shaft shoulder
D _{a max}	129 mm	Maximum diameter of housing shoulder
r _{a max}	2 mm	Maximum recess radius

Temperature range

T _{min}	-30 °C	Operating temperature min.
T _{max}	200 °C	Operating temperature max.

Calculation factors

e	0,22	Limiting value of Fa/Fr for the applicability of diff. Values of factors X and Y
Y ₁	3,14	Dynamic axial load factor
Y ₂	4,67	Dynamic axial load factor
Y ₀	3,07	Static axial load factor