



FAG

## ★ 22216-E1-XL

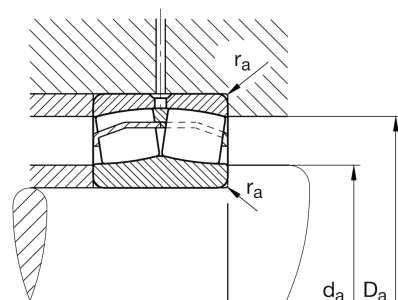
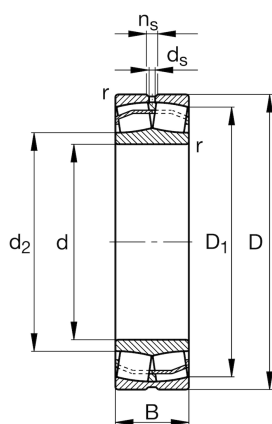
Spherical roller bearing

Schaeffler ID:  
0167039520000Spherical roller bearings 222...-E1, main  
dimensions to DIN 635-2

★ Preferred product

X-life

## Technical information



## Main Dimensions &amp; Performance Data

d	80 mm	Bore diameter
D	140 mm	Outside diameter
B	33 mm	Width
C <sub>r</sub>	250.000 N	Basic dynamic load rating, radial
C <sub>0r</sub>	270.000 N	Basic static load rating, radial
C <sub>ur</sub>	34.500 N	Fatigue load limit, radial
n <sub>G</sub>	6.200 1/min	Limiting speed
n <sub>gr</sub>	3.550 1/min	Reference speed
	2,072 kg	Weight

## Additional information

r <sub>min</sub>	2 mm	Minimum chamfer dimension
D <sub>1</sub>	126,8 mm	Bore diameter outer ring
d <sub>2</sub>	94,9 mm	Raceway diameter of the inner ring
d <sub>s</sub>	3,2 mm	Diameter lubrication hole
n <sub>s</sub>	6,5 mm	Width of lubricating groove

## Mounting dimensions

d <sub>a min</sub>	91 mm	Minimum diameter shaft shoulder
D <sub>a max</sub>	129 mm	Maximum diameter of housing shoulder
r <sub>a max</sub>	2 mm	Maximum recess radius

## Calculation factors

e	0,22	Limiting value of Fa/Fr for the applicability of diff. Values of factors X and Y
Y <sub>1</sub>	3,14	Dynamic axial load factor
Y <sub>2</sub>	4,67	Dynamic axial load factor
Y <sub>0</sub>	3,07	Static axial load factor

**Temperature range**

T <sub>min</sub>	-30 °C	Operating temperature min.
T <sub>max</sub>	200 °C	Operating temperature max.