

FAG

## ★ 22209-E1-XL

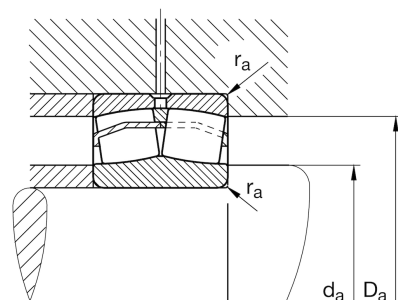
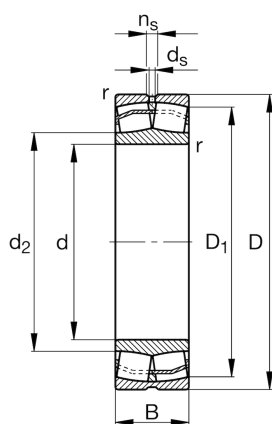
Spherical roller bearing

Schaeffler ID:  
0167034480000Spherical roller bearings 222...-E1, main  
dimensions to DIN 635-2

★ Preferred product

X-life

## Technical information



## Main Dimensions &amp; Performance Data

d	45 mm	Bore diameter
D	85 mm	Outside diameter
B	23 mm	Width
$C_r$	104.000 N	Basic dynamic load rating, radial
$C_{0r}$	99.000 N	Basic static load rating, radial
$C_{ur}$	13.000 N	Fatigue load limit, radial
$n_G$	10.100 1/min	Limiting speed
$n_{gr}$	5.600 1/min	Reference speed
	0,562 kg	Weight

## Additional information

$r_{min}$	1,1 mm	Minimum chamfer dimension
$D_1$	75,6 mm	Bore diameter outer ring
$d_2$	55 mm	Raceway diameter of the inner ring
$d_s$	3,2 mm	Diameter lubrication hole
$n_s$	4,8 mm	Width of lubricating groove

## Mounting dimensions

$d_{a min}$	52 mm	Minimum diameter shaft shoulder
$D_{a max}$	78 mm	Maximum diameter of housing shoulder
$r_{a max}$	1 mm	Maximum recess radius

## Calculation factors

e	0,25	Limiting value of $F_a/F_r$ for the applicability of diff. Values of factors X and Y
$Y_1$	2,74	Dynamic axial load factor
$Y_2$	4,08	Dynamic axial load factor
$Y_0$	2,68	Static axial load factor

**Temperature range**

T <sub>min</sub>	-30 °C	Operating temperature min.
T <sub>max</sub>	200 °C	Operating temperature max.