

FAG

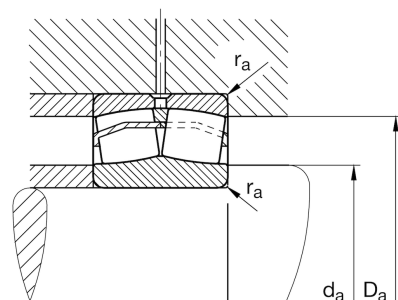
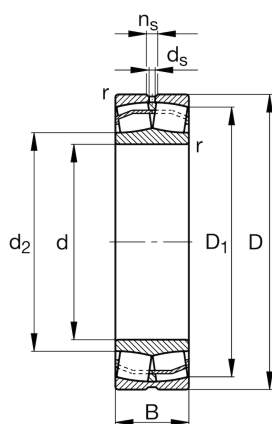
**21315-E1-XL**

Spherical roller bearing

Schaeffler ID:  
0219389970000Spherical roller bearings 213..-E1, main  
dimensions to DIN 635-2

X-life

## Technical information

**Main Dimensions & Performance Data**

d	75 mm	Bore diameter
D	160 mm	Outside diameter
B	37 mm	Width
$C_r$	305.000 N	Basic dynamic load rating, radial
$C_{0r}$	325.000 N	Basic static load rating, radial
$C_{ur}$	39.000 N	Fatigue load limit, radial
$n_G$	5.700 1/min	Limiting speed
$n_{gr}$	3.750 1/min	Reference speed
	3,691 kg	Weight

**Mounting dimensions**

$d_{a \min}$	87 mm	Minimum diameter shaft shoulder
$D_{a \max}$	148 mm	Maximum diameter of housing shoulder
$r_{a \max}$	2,1 mm	Maximum recess radius

**Temperature range**

$T_{\min}$	-30 °C	Operating temperature min.
$T_{\max}$	200 °C	Operating temperature max.

### Dimensions

e	0,22	Limiting value of Fa/Fr for the applicability of diff. Values of factors X and Y
r <sub>min</sub>	2,1 mm	Minimum chamfer dimension
D <sub>1</sub>	135,2 mm	Bore diameter outer ring
Y <sub>1</sub>	3,04	Dynamic axial load factor
Y <sub>2</sub>	4,53	Dynamic axial load factor
d <sub>2</sub>	99,7 mm	Raceway diameter of the inner ring
d <sub>s</sub>	3,2 mm	Diameter lubrication hole
Y <sub>0</sub>	2,97	Static axial load factor
n <sub>s</sub>	6,5 mm	Width of lubricating groove