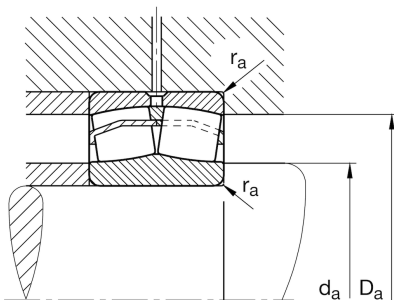
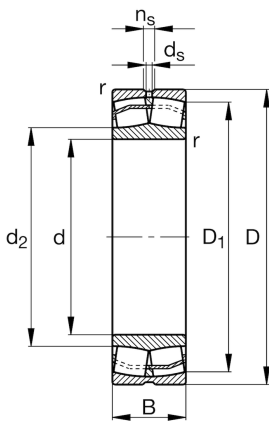


Technical information



21312-E1-XL

Spherical roller bearing

Schaeffler ID:
0190146430000

Spherical roller bearings 213...-E1, main
dimensions to DIN 635-2

Dimensions

r_{\min}	2,1 mm	Minimum chamfer dimension
D_1	112,5 mm	Bore diameter outer ring
d_2	84,4 mm	Raceway diameter of the inner ring
d_s	3,2 mm	Diameter lubrication hole
n_s	6,5 mm	Width of lubricating groove
	2,1 kg	Weight

Main Dimensions & Performance Data

d	60 mm	Bore diameter
D	130 mm	Outside diameter
B	31 mm	Width
C_r	211.000 N	Basic dynamic load rating, radial
C_{0r}	226.000 N	Basic static load rating, radial
C_{ur}	28.500 N	Fatigue load limit, radial
n_G	6.700 1/min	Limiting speed
n_{gr}	4.100 1/min	Reference speed

Mounting dimensions

$d_{a \min}$	72 mm	Minimum diameter shaft shoulder
$D_{a \max}$	118 mm	Maximum diameter of housing shoulder
$r_{a \max}$	2,1 mm	Maximum recess radius

Calculation factors

e	0,23	Limiting value of F_a/F_r for the applicability of diff. Values of factors X and Y
Y_1	2,95	Dynamic axial load factor
Y_2	4,4	Dynamic axial load factor
Y_0	2,89	Static axial load factor

Temperature range

T _{min}	-30 °C	Operating temperature min.
T _{max}	200 °C	Operating temperature max.