

FAG

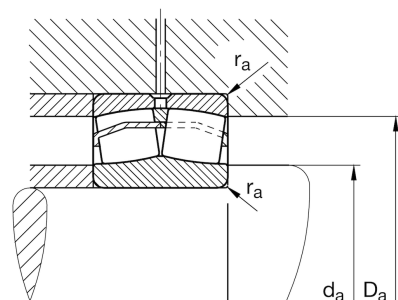
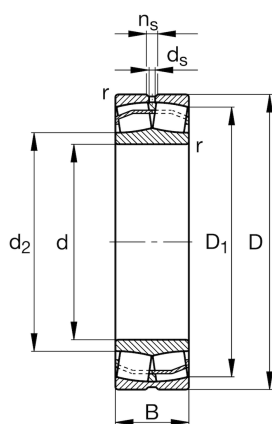
21311-E1-XL

Spherical roller bearing

Schaeffler ID:
0190146270000Spherical roller bearings 213...-E1, main
dimensions to DIN 635-2

X-life

Technical information



Dimensions

r_{\min}	2 mm	Minimum chamfer dimension
D_1	98,3 mm	Bore diameter outer ring
d_2	71,6 mm	Raceway diameter of the inner ring
d_s	3,2 mm	Diameter lubrication hole
n_s	6,5 mm	Width of lubricating groove
	1,62 kg	Weight

Main Dimensions & Performance Data

d	55 mm	Bore diameter
D	120 mm	Outside diameter
B	29 mm	Width
C_r	160.000 N	Basic dynamic load rating, radial
C_{0r}	155.000 N	Basic static load rating, radial
C_{ur}	20.700 N	Fatigue load limit, radial
n_G	8.100 1/min	Limiting speed
n_{gr}	5.100 1/min	Reference speed

Mounting dimensions

$d_{a \min}$	66 mm	Minimum diameter shaft shoulder
$D_{a \max}$	109 mm	Maximum diameter of housing shoulder
$r_{a \max}$	2 mm	Maximum recess radius

Calculation factors

e	0,23	Limiting value of F_a/F_r for the applicability of diff. Values of factors X and Y
Y_1	2,98	Dynamic axial load factor
Y_2	4,44	Dynamic axial load factor
Y_0	2,92	Static axial load factor

Temperature range

T _{min}	-30 °C	Operating temperature min.
T _{max}	200 °C	Operating temperature max.