

FAG

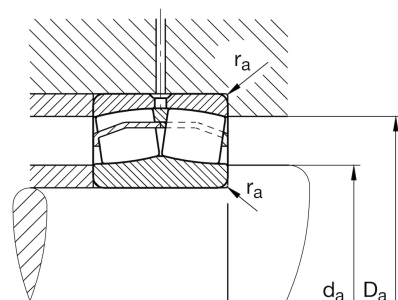
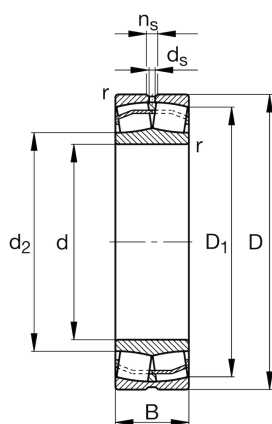
**21309-E1-XL**

Spherical roller bearing

Schaeffler ID:  
0219410500000Spherical roller bearings 213...-E1, main  
dimensions to DIN 635-2

X-life

## Technical information

**Main Dimensions & Performance Data**

d	45 mm	Bore diameter
D	100 mm	Outside diameter
B	25 mm	Width
C <sub>r</sub>	129.000 N	Basic dynamic load rating, radial
C <sub>0r</sub>	130.000 N	Basic static load rating, radial
C <sub>ur</sub>	17.700 N	Fatigue load limit, radial
n <sub>G</sub>	9.000 1/min	Limiting speed
n <sub>gr</sub>	4.750 1/min	Reference speed
	0,973 kg	Weight

**Additional information**

r <sub>min</sub>	1,5 mm	Minimum chamfer dimension
D <sub>1</sub>	89,8 mm	Bore diameter outer ring
d <sub>2</sub>	67,6 mm	Raceway diameter of the inner ring
d <sub>s</sub>	3,2 mm	Diameter lubrication hole
n <sub>s</sub>	4,8 mm	Width of lubricating groove

**Mounting dimensions**

d <sub>a min</sub>	54 mm	Minimum diameter shaft shoulder
D <sub>a max</sub>	91 mm	Maximum diameter of housing shoulder
r <sub>a max</sub>	1,5 mm	Maximum recess radius

**Calculation factors**

e	0,21	Limiting value of Fa/Fr for the applicability of diff. Values of factors X and Y
Y <sub>1</sub>	3,17	Dynamic axial load factor
Y <sub>2</sub>	4,72	Dynamic axial load factor
Y <sub>0</sub>	3,1	Static axial load factor

**Temperature range**

T <sub>min</sub>	-30 °C	Operating temperature min.
T <sub>max</sub>	200 °C	Operating temperature max.