

FAG

## ★ 21305-E1-XL-TVPB

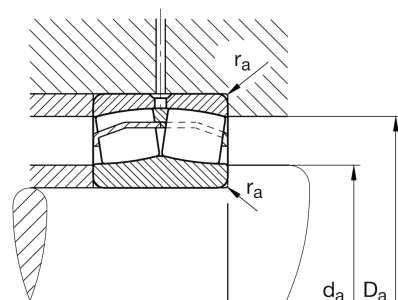
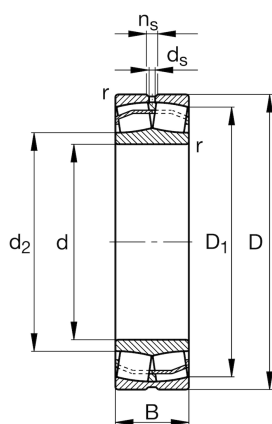
Spherical roller bearing

Schaeffler ID:  
0190001890000Spherical roller bearings 213...E1, main  
dimensions to DIN 635-2

★ Preferred product

X-life

## Technical information



## Main Dimensions &amp; Performance Data

d	25 mm	Bore diameter
D	62 mm	Outside diameter
B	17 mm	Width
$C_r$	52.000 N	Basic dynamic load rating, radial
$C_{0r}$	43.500 N	Basic static load rating, radial
$C_{ur}$	4.900 N	Fatigue load limit, radial
$n_G$	13.900 1/min	Limiting speed
$n_{gr}$	8.400 1/min	Reference speed
	0,25 kg	Weight

## Additional information

$r_{min}$	1,1 mm	Minimum chamfer dimension
$D_1$	51 mm	Bore diameter outer ring
$d_2$	35,2 mm	Raceway diameter of the inner ring

## Mounting dimensions

$d_{a min}$	32 mm	Minimum diameter shaft shoulder
$D_{a max}$	55 mm	Maximum diameter of housing shoulder
$r_{a max}$	1 mm	Maximum recess radius

## Calculation factors

e	0,28	Limiting value of $F_a/F_r$ for the applicability of diff. Values of factors X and Y
$Y_1$	2,43	Dynamic axial load factor
$Y_2$	3,61	Dynamic axial load factor
$Y_0$	2,37	Static axial load factor

**Temperature range**

T <sub>min</sub>	-30 °C	Operating temperature min.
T <sub>max</sub>	120 °C	Operating temperature max.