



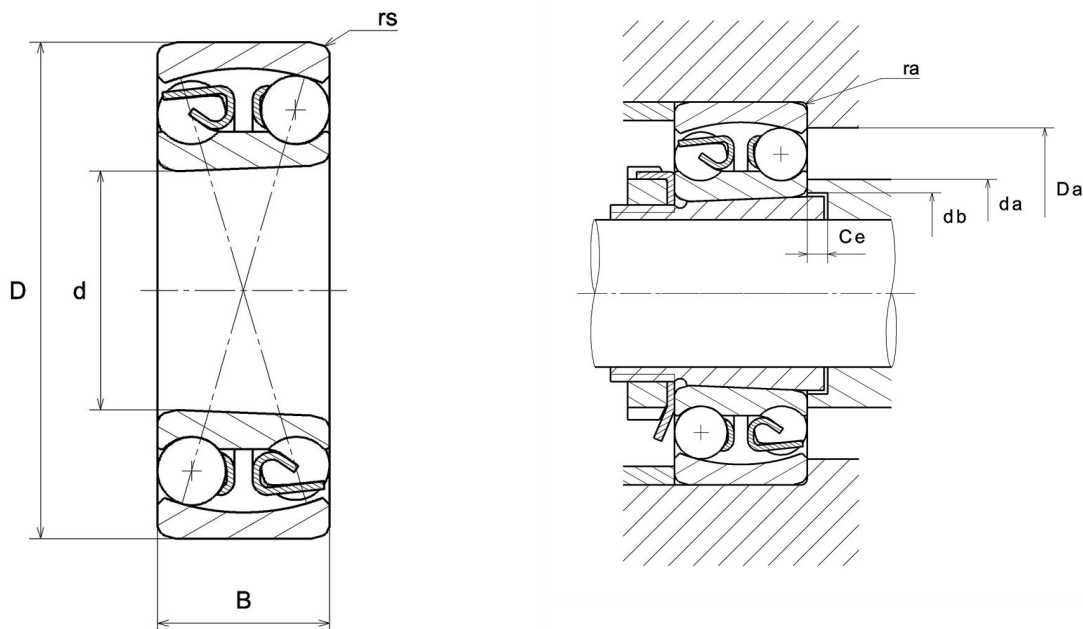
## Technical data

### 1220SKC3

Double row self aligning ball bearings

Self-aligning ball bearing, pressed steel cage, tapered bore, open

## Visual(s)



## Product definition

<b>d</b>	100 mm
<b>D</b>	180 mm
<b>B</b>	34 mm
<b>rs min</b>	2.1 mm
<b>Associated sleeve reference</b>	H220X
<b>e</b>	0.17
<b>Y1</b>	3.6
<b>Y2</b>	5.6
<b>Y0</b>	3.8
<b>Radial clearance class</b>	C3
<b>Precision class</b>	P0
<b>Mass</b>	3.82 kg
<b>Brand</b>	NTN

## Product performance

<b>Dynamic load, C</b>	69.5 kN
<b>Static load, C0</b>	29.7 kN
<b>Nlim (oil)</b>	3,800 Tr/min
<b>Nlim (grease)</b>	3,200 Tr/min
<b>Min operating temperature, Tmin</b>	-20 °C
<b>Max operating temperature, Tmax</b>	120 °C

## Abutment dimensions

<b>da min</b>	111 mm
<b>da max</b>	125 mm
<b>db min</b>	106 mm
<b>Ce min</b>	7 mm
<b>Da max</b>	169 mm
<b>ra max</b>	2 mm